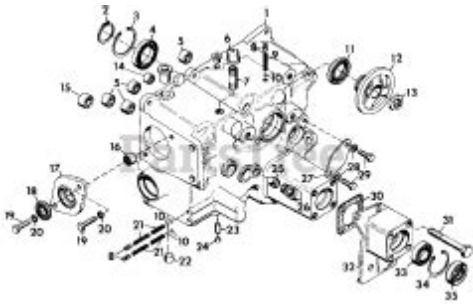


8179-kt manual



File Name: 8179-kt manual.pdf

Size: 3266 KB

Type: PDF, ePub, eBook

Category: Book

Uploaded: 17 May 2019, 20:31 PM

Rating: 4.6/5 from 780 votes.

Status: AVAILABLE

Last checked: 17 Minutes ago!

In order to read or download 8179-kt manual ebook, you need to create a FREE account.

[**Download Now!**](#)

eBook includes PDF, ePub and Kindle version

[Register a free 1 month Trial Account.](#)

[Download as many books as you like \(Personal use\)](#)

[Cancel the membership at any time if not satisfied.](#)

[Join Over 80000 Happy Readers](#)

Book Descriptions:

We have made it easy for you to find a PDF Ebooks without any digging. And by having access to our ebooks online or by storing it on your computer, you have convenient answers with 8179-kt manual . To get started finding 8179-kt manual , you are right to find our website which has a comprehensive collection of manuals listed.

Our library is the biggest of these that have literally hundreds of thousands of different products represented.



Book Descriptions:

8179-kt manual

Find resale prices for tractors built from 1939 through today, with complete specifications and serial numbers. Save 15% on our Official Tractor Blue Book sale! Celebrated farming expert Eliot Coleman author of the revolutionary book, *The New Organic Grower* that helped spur the modern locallygrown organic market over 20 years ago, is back with his secrets for winter and offseason greenhouse organic farming. Coleman offers clear, concise details on greenhouse construction and maintenance, planting schedules, crop management, harvesting practices, and even marketing methods in this complete, meticulous, and illustrated guide. Readers have access to all the techniques that have proven to produce higherquality crops on Colemans own farm. Enjoy the rich rewards of running your own organicThe service manual provides provides the howto, stepbystep directions. The parts manual shows you all the parts and components and how they fit together.Call 16314518706 Theyll do their best to help!This site has the highest level of secure encryption to protect your credit card and personal information,We appreciate your business! Choose one of our extremely durable zero turn mowers and be the master of your terrain. Overview Commercial ProTurn 400 Commercial ProTurn 200 Commercial ProTurn 100 Commercial ProTurn Residential Gravely ZT HD Residential Gravely ZT XL Residential Gravely ZT X Residential Gravely ZT Commercial CompactPro accessories Choose a walk behind for the precision you need. Overview Commercial ProQXT Tractor Commercial ProWalk Hydro Commercial ProWalk Gear Drive Commercial Power Brush Accessories Paper manuals can also be purchased. Please note, Service Manuals are not available for all models. If a service manual is not available for your model, the pertinent service information has been added to the Owners Manual. In order to access complete and accurate product information, you must use your products serial number. Something went wrong.http://rbsten-tel.com/images/blog_images/calener-vyp-manual.xml

- **8179-kt manual.**

Dust cover is intact; pages are clean and are not marred by notes or folds of any kind. At ThriftBooks, our motto is Read More, Spend Less. Black Entrepreneurs Guide to Success by Melvin J. Gravely An apparently unread copy in perfect condition. Dust cover is intact; pages are clean and are not marred by notes or folds of any kind. At ThriftBooks, our motto is Read More, Spend Less. All Rights Reserved. User Agreement, Privacy, Cookies and AdChoice Norton Secured powered by Verisign. See Return Policy These manuals feature condensed service data and specifications covering multiple manufacturers and models. They have long been the trusted source for professionals and experienced mechanics. This manual covers multicylinder yard and garden tractors for models produced through 1990. Twenty tractor manufacturers are covered. GRAVELY 8199T INTERNATIONAL HARVESTER 582 INTERNATIONAL HARVESTER 582 SPECIAL INTERNATIONAL HARVESTER 682 INTERNATIONAL HARVESTER 782 AND 982 JOHN DEERE 316 JOHN DEERE 317 JOHN DEERE 318 JOHN DEERE 322 JOHN DEERE 330 JOHN DEERE 332 JOHN DEERE 400 JOHN DEERE 420 JOHN DEERE 430 AND 285 KAWASAKI FD590V KOHLER K361 KOHLER K482 KOHLER K532 KOHLER K582 KOHLER K662 KOHLER KT17 KOHLER KT19 KOHLER KT21 KOHLER M18 KOHLER M20 and MV20 KOHLER MV16 KOHLER MV18 KUBOTA D662 KUBOTA D722 and WG750G. KUBOTA G1800 KUBOTA G1800S KUBOTA G1900 KUBOTA G1900S KUBOTA G2000 and G2000S MTD 500 MTD 600 MTD 700 MTD 800 and 995A. MURRAY 38206 MURRAY 39004 MURRAY 46100A MURRAY 46300A and 46300B ONAN B43E ONAN B43G ONAN B43M ONAN B48G ONAN B48M ONAN BF ONAN BG ONAN CCK ONAN CCKA and CCKB SIMPLICITY 5216 SIMPLICITY 6216 SIMPLICITY 6218 SIMPLICITY 7018 SIMPLICITY 7117 and

7119 SNAPPER LT12 SNAPPER LT16 SNAPPER YT12 SNAPPER YT16 SNAPPER YT18 and HYT18
SPEEDEX 1832 WHEEL HORSE 18 HP AUTOMATIC WHEEL HORSE 2165 WHEEL HORSE 417
WHEEL HORSE 417A.<http://ashrayacharity.org/userfiles/calibra-repair-manual-pdf.xml>

GT1642 WHEEL HORSE B165 WHEEL HORSE C161 WHEEL HORSE C175 and C195 WHEEL
HORSE D160 WHEEL HORSE D180 WHEEL HORSE D200 WHEEL HORSE GT1848 WHEEL HORSE
LT1637 WHEEL HORSE LT1642 YANMAR 3TG66UJ YANMAR 3TN66UJ and 3TNA72UJ For Shipping
Rates Please Click Here A new window will open — simply close window to continue shopping.

Please enter the code exactly as it is shown in the graphic. Copyright 2013 AutoRepairManuals.biz,
All Rights Reserved. Hundreds of exploded views and illustrations guide you through the complete
adjustment and repair process. In doing so, no representation of affiliation, association or the like is
intended, unless otherwise stated. Moreover, we are in fact owners of intellectual property, property
that is a valuable asset to our business. Let us help you find a manual. Dismiss. Clymer ProSeries
Outdoor Power manuals feature condensed service data and specifications covering multiple
manufacturers and models. They have long been the trusted source for professionals and experience
mechanics for many product manufacturers where there is no longer technical information in print.
See a Clymer ProSeries sample page. Service information for multicylinder air and liquidcooled
engines. Engine, transmission and brake service information. Outdoor Power Repair Manuals Ford
Outdoor Power Repair Manuals Gilson Outdoor Power Repair Manuals Gravely Outdoor Power
Repair Manuals International Harvester Outdoor Power Repair Manuals John Deere Outdoor Power
Repair Manuals Kawasaki Outdoor Power Repair Manuals Kohler Outdoor Power Repair Manuals
Kubota Outdoor Power Repair Manuals MTD Outdoor Power Repair Manuals Murray Outdoor Power
Repair Manuals Onan Outdoor Power Repair Manuals Simplicity Outdoor Power Repair Manuals
Snapper Outdoor Power Repair Manuals Wheel Horse Outdoor Power Repair Manuals Yanmar
Outdoor Power Repair Manuals Online Outdoor Power Manuals Dates of Publications Vary By
Manual. All Rights Reserved. Product type Description Supplier Part No. Index.

00 Miscellaneous parts. 00 Miscellaneous parts L 91951301 04245 M12 Nut Cover, 94252022,
94252022 X\Reports\02. S6275 04802 Hand Set, S5750 S5750 04803 Castor, S6338, S6338
X\Reports\02. PS0053 PS0053 08203 Battery 12v 3.2aph. SBGRNP3.212 SBGRNP3212 08204
Charger Unit. PBO 420 PBO 420 08205 Power Pack. PB0256 PB0256 08206 Blower unit PT0402
PT0402 08207 Battery Park. PB0220. PB0220 08208 Seat Moulding Gray. PS1276. PS1276 08209
Battery 12v. PB0425 PB0425 08210 Bottom Switch. PB0163 PB0163 08211 Cable Kit
Complete. PS1289. PS1289 08212 Ram PK0320. PBO453 08623 Battery box. TBO220 TBO 220 08624
Service Kit. PS01480 PS01480 08625 Plugs Large, PS0609. PP0517 08628 Access Plug. PC0895.
PC0895 08629 Battery Pack, PB0226, PB0226 08630 Digital Temp Display. PS1442. PB1442 08631
Door Strut, PH0351 PH0351 08632 Oregon Ducting, PP0916, PP0916 08633 Charger, PB0420 PB0420
08634 Tilt Ram, PH0153. PBO 420 PBO 420 08903 Handset 8 Pin 2 Button. PB0450 08904 Hy
Ram. PH 0150 PH0150 08905 Control Box. PK1113 PK 1113 08905R Control Box, PK1113 JD 08906
Power Pack, PS0054, PS0054 X\Reports\02. P90047 P90047 11205 Charger Lead. P90047, P90047
11206 Handset, P10918 P10918 11207 Key Ring, P30998 P30998 11208 Actuator Pin Kit, 270239,
270239 11209 Finger Protector, 270152 270152 11210 Actuator, PO3014 PO3014 X\Reports\02.
P10908 P10908 11405 Castors Rear, M02013, M02013 X\Reports\02. MAXI20A 14125 M12 Nyloc
Nut. NU 162 NU 162 14126 Nut Cap. PL222, PL222 14127 Mast Assy, MAXI04, MAXI04 X\Reports\02.
SC229 14221 Spring Bush Insert, ELS09A ELS09A 14222 Pullnob, S0151, S0151 14223 M3 Nyloc
Nut. nu103. NU 103 14224 Contact Block. EL039. EL039 14225 DM Ball Joint M1. HO004 HO004
14226 M10 Full Nut, NU105, NU105 14227 Leg Control Bar Assy Short, MAXI35, MAXI35 14228 Leg
Control Bar Assy Long, MAXI36. MN60 MN60 14305 Spring bush, MINI14. MINI124 14306 Control
Bar, max135 MAX135 14307 Securing Pin, MINI19 MINI19 14308 Apple Clip. HO019 HO019 14309
Bolt M12 x 50mm. SC300 SC300 14310 Nut Nyloc M13, NU161. ELO 73 ELO 73 14402 Actuator
Black.

<http://www.drupalitalia.org/node/78238>

EL022 EL022 14403 Safety Arms.MBH20 MBH20 14404 Receiving Plate Assembly.MINI22 MINI22 14405 Locking Plate Assembly MAXI20A MAXI20A 14406 Foam Grip.HO009. HO009 14407 Boom End Cap,HO005 HO005 14408 Jack Plug. EL1003, EL1003 14409 Hydraulic Pump,HO022 HO 022 14410 Handle,mini45 MINI45 14411 End Cap,HO011 HO011 14412 Outrigger Arm Assy,ELS14 ELS 14 X\Reports\02. AA8981 15122 Plastic Covers,AA897907, AA897907 X\Reports\02. AA1395 15602 Suckers 1 PAIR.AA139001 AA139001 15603 Cover Set.AA1396 AA1396 15604 Actuator.AA139004, AA139004, 15605 Handset,AA13985R, AA13985R X\Reports\02. M0303B 19601 Bathlifter 303 Part No. ZAQ307 26117 Side Panel Upper EACH.ZAQ202 ZAQ202 26118 Side Panel Lower.ZAQ 201 ZAQ201 26119 Pump.ZAW052 ZAW 052 26120 Pop up plug.ZAQ163 ZAQ163 26121 Seat, ZAQ311 ZAQ 311 26122 Back Rest. ZAQ215 ZAQ215 26123 Back Rest Cover, ZAQ216, ZAQ216 26124 Fixing Kit,ACC002, PANEL ACC002 26125 Flexible Waste Hose,ZAQ123 26126 Keypad Trim Frame For Membrane,ZAQ630. ZAQ630 26127 KeypadScorpio,ZAQ656 ZAQ656 26128 Seat Cover,SBAQ002, SBAQ002 26129 Fuse 30AMP 26130 Seat,ZAQ 652 ZAQ 652 26131 Bath End Panel,Lower,ZAQ203, ZAQ203 26132 Bath End Panel Upper,ZAQ204, ZAQ204 X\Reports\02. MHWMEs 22UK X\Reports\02. Shindler, Kone, Dewhurst Etc Other Lifts Thyssen. Shindler, Kone, Dewhurst Etc X\Reports\02. KM4757G02 35306 Back Piece.KM720274HO1 KM720274HO1 35307 Push Button.KM474547GO2 KM474547GO2 35308 Push Button,Metal,Blanco,KM720205G51 KM720205G51 35309 Push Button,KM474546G01 KM474546G01 X\Reports\02. SPCEBMSE 174 35604 Retiring Ramp.B43.PL0399. PL0399 X\Reports\02. CHARGER 37108 Battery Park LA34.BATTERYLA34. BATTERYLA34 37109 Leg Linkage,FHLINKS FH LINKS 37114 Starlock Washer 10mm.B7656 B7656 X\Reports\02. LOCO 175 43113 Actuator For mk2 Black Leg Spreader,LOCO 110. VML 47705 Tank Susp Springs 1 set, X\Reports\02. NM3698 69202 Charger.133001100 133001100 69203 Control Box,NM3640 NM3640 69204 Hand Set,MM3637 MM3637 69205 Battery Pack,00017210000, 00017210000 X\Reports\02.

<http://www.costarica4u.com/images/botswana-national-archives-manual.pdf>

Huntleigh Porta Weighscale. Line50\Stock\Engmanualbypartno.rpt Supplier Part No Live data link Page 346 of 346 We are a nonprofit group that run this service to share documents. We need your help to maintenance and improve this website. Tractors tractors. If you see something you like, place a quantity in the box nextYou can then send your orderAnd keep in mind, we offer thousands of manuals in addition toSimply fill out the manual requestTractor Manuals page. If you have any questions or concerns, we inviteNOTE Prices shown are in U.S. dollars. The parts manualThe operators manual adds all the basic information meant for the end user of the machine. PICK UP ALL THREE and save yourself time and money! Call 16314518706 Theyll do theirThis site has the highest level of secure encryption to protect your credit card and personal information,We appreciate your business! Please pay for all items within 4 days of winning bid. All items sold as is. All items will be shipped out in a timely manner with the best of care. Thank you for selecting this auction.and Happy Bidding. Please feel free to email me of any questions you might have. Manual 2100508 Bryan, Ohio 43506 Supersedes NEW File Volume III Tab 16 Since 1914.Moving ahead just as planned.You can usually find these at THESE PUBLISHERS your local library or purchase them directly from the publisher. Be sure to consult current edition of each ACCA Air Conditioning Contractors of America standard. 1712 New Hampshire Ave. N.W. Washington, DC 20009 Telephone 202 4839370 National Electrical Code.Air The filter slides into position making it easy to service. Conditioning Contractors of America ACCA is an This filter can be serviced from the outside by removing excellent guide to proper sizing. All duct work or portions the filter access panel. A 1inch washable filter and 2 thereof not in the conditioneFailure to do this coulFor 208V operation, reconnect from size. Each outdoor unit is marked with a "Minimum Circuit Ampacity".

<https://cottonsauction.com/images/botswana-national-archives-and-records-services-manual.pdf>

This means that the field wiring 240V to 208V tap. The acceptable operating voltage range for the 240 and HIGH PRESSURE SWITCH The phase monitor in this unit is equipped with two LEDs. The indoor motor circuit is powered whenever the compressor is locked out due to automatically completed on any call for cooling HPC or LPC sequences as described. Refer to rating plate. Optimum unit performance will occur with Table 1 for unit specific dimension. WB High Side 295 316 337 360 383 407 432 457 484 511 80 deg. WB High Side 303 324 346 369 393 417 443 469 496 524 85 deg. DB Low Side 141 143 145 147 149 151 153 155 156 158 72 deg. WB High Side 314 335 358 382 407 432. Please upgrade your browser to improve your experience. Hundreds of exploded views and illustrations will guide you through the complete adjustment and repair procedures. Plus, storage and service shop tool buyers guide. TRACTOR SERVICE SECTION ALLISCHALMERS Models 616, 620, 718, 720, 816, 818, 917, 919. ARIENS Models GT17, GT18, GT19. BOLENS Models QT16, 1600, 1700, 1900, HT18, HT20, HT23. CUB CADET Models 580, 582, 682, 782, 784, 982, 984, 986. JOHN DEERE Models 316, 317, 318, 322, 330, 332, 400, 420, 430. DEUTZALLIS Models 613 Special, 613H, 616 Special, 616H, 1814, 1816, 1817, 1918, 1920. FORD Models YT 16, LGT 17, LGT 17H. GILSON Models 52084, 52084A, 53042, 53043, 53044, 53045, 53054, 53055, 53073A, 53074A. GRAVELY Models 450, 816, 8162T, 8163T, 8171T, 8173KT, 8179T, 8179KT, 8183T, 8193KT, 8199T, 8199KT. INTERNATIONAL HARVESTER Models 582, 582 Special, 682, 782, 982. KUBOTA Models G1800, G1800S, G1900, G1900S, G2000, G2000S. MTD Series 500, 600, 700, 800, 995A. MURRAY Models 38206, 39004, 46100A, 46300A, 46300B. SIMPLICITY Models 5216, 6216, 6218, 7018, 7117, 7119. SNAPPER Models LT12, YT12, LT16, YT16, YT18, HYT18. SPEEDEX Model 1832. WHEEL HORSE Models D160, D180, D200, 18 HP Automatic, 417, 417A, GT1642, GT1848, LT1637, LT1642, 2165, B165, C161, C175, C195. KAWASAKI Model FD590V.

KOHLER Models KT17, KT19, KT21, K361, K482, K532, K582, K662, MV16, M18, MV18, M20, MV20. KUBOTA Models D662, D722, WG750G. ONAN Models BF, BG, B43M, B43E, B43G, B48G, B48M, CCK, CCKA, CCKB. 415. YANMAR Models 3TG66UJ, 3TN66UJ, 3TNA72UJ. Author Clymer Editorial Staff. Binding Paperback 8.25 x 10.75 inches Be the first to write a review. It operates at 1800 RPM. These units can easily run between 5,000 to 8,000 hours before a rebuild is needed. New or changed text material is indicated by a vertical bar in the Remove pages Insert pages Official Chief of Staff Secretary of the Army Chief of Staff Commander, Air Force Materiel Command If you find any mistakes, or if you know of a way to improve these procedures, Command, ATTN AMSATIMP, 4300 Goodfellow Blvd., St. Louis, MO 631201798. You may also submit your A reply will be For NAVY send letter directly to Commanding Officer, Naval Construction Battalion Center, ATTN Code 15 Port. Hueneme, CA 93043. For Air Force, submit AFTO Form 22 Technical Order System Publication Improvement Report and Reply in Center. ATTN TILBA, McClellan AFB, CA 956525990. DISTRIBUTION STATEMENT A Approved for public release; distribution is unlimited. Page Figure AC Control Circuit Breakers, Rotary Switch and. AC Control Wiring Harness, Rectifier Bridge and Page Figure. SECTION II. REPAIR PARTS Continued. Blower Wheel, Alternator Stator, Regulator, Fuse and It authorizes the requisitioning, issue, and disposition of spares, repair This list also includes parts which must be removed for replacement of the authorized Bulk materials are listed in item name sequence. Items are A list, in National Item Identification Number NIIN sequence, of all.

National stock numbered items appearing in the listing, followed by a list in alphanumeric sequence of all part numbers National stock numbers and part numbers are cross referenced to each illustration figure and The figure and item number index lists figure and item numbers in alphanumeric sequence The Source, Maintenance, and Recoverability SMR code is a 5 position code Explanations of source codes follows Code PD code. They must be made from bulk material Which is MH Made at GS Level USABLE ON CODE UOC column and listed in the Bulk. ML Made at Specialized Repair Material group of the repair parts list in this RPSTL. If the item. Activity SRA is authorized to you by the 3rd position code of the SMR code, MD Made at Depot the item from the higher level of maintenance. Level individually. The parts that make up the assembled item must be.

